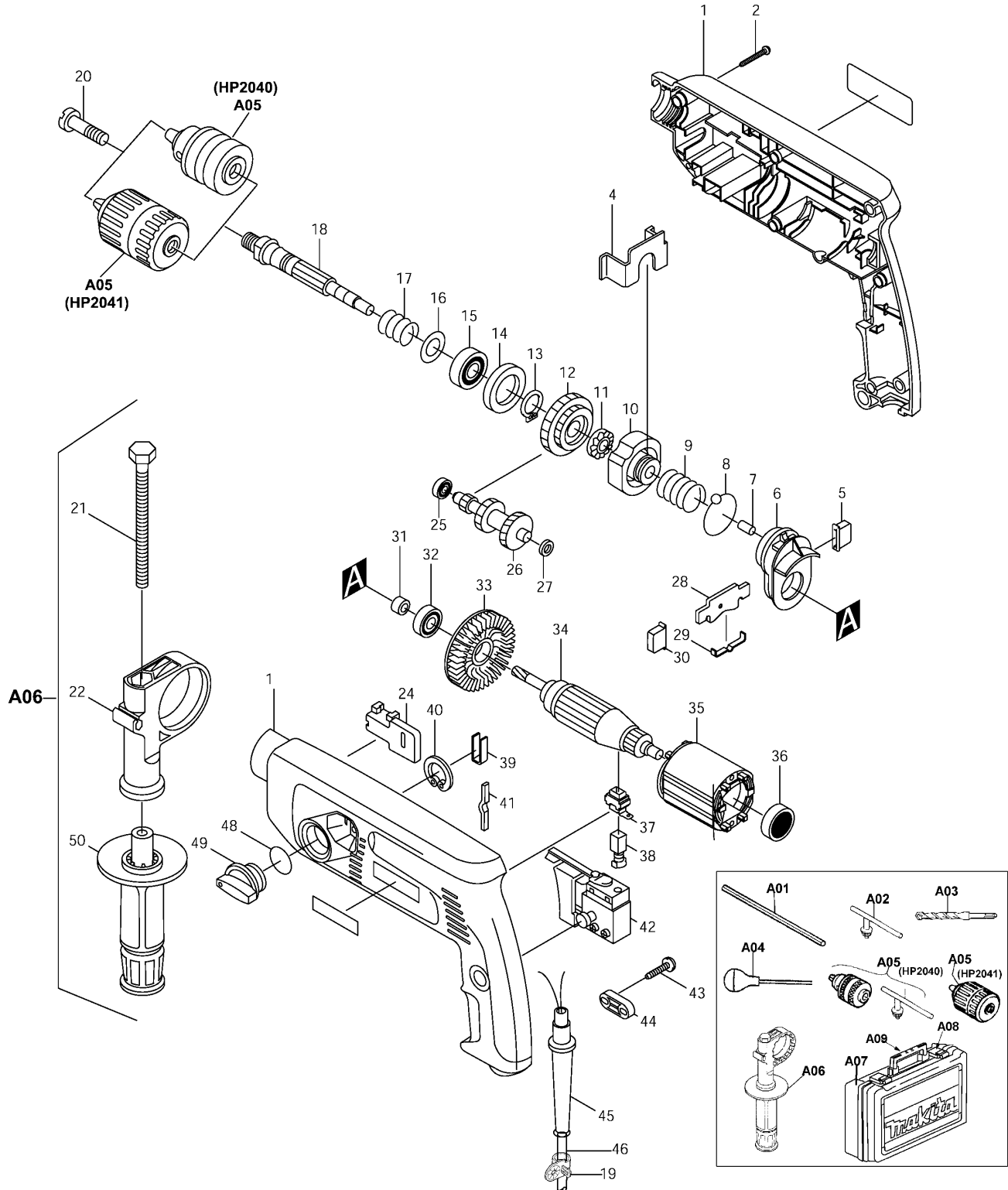


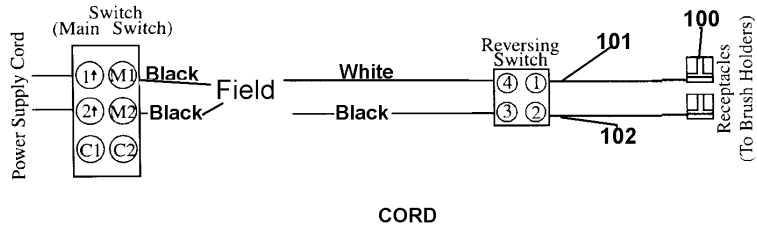


3/4" - 2 Speed HAMMER DRILL V.S. Model HP2040* (MJ)
3/4" - 2 Speed KEYLESS HAMMER DRILL V.S. Model HP2041 (MJ)

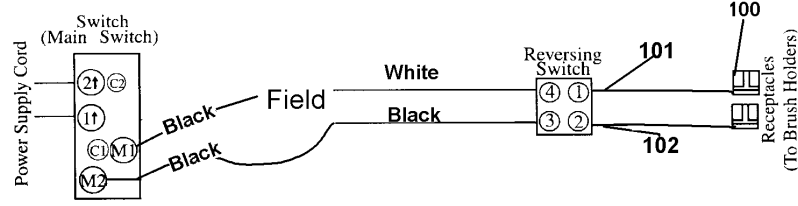


WIRING DIAGRAM

For Switch 651987-5



For Switch 651986-7



Item No.	Part No.	No. Used	Description	Item No.	Part No.	No. Used	Description
1	182906-5	1	Housing Set	36	211028-5	1	Ball Bearing 627LB
2	265995-6	10	Tapping Screw 4x18 (Old 266121-0)	37	643923-5	2	Brush Holder
4	344439-0	1	Retainer	38	191927-6	2	Carbon Brush CB-407 (2pcs/Set)
5	415453-4	1	Change Button	39	344440-5	1	Slider Plate
6	159965-4	1	Inner Housing Com.	40	961104-2	1	Retaining Ring S-24
7	256251-5	1	Pin 4	41	232053-3	1	Leaf Spring
8	216001-0	1	Steel Ball 3.5	42	651986-7	1	Switch (Old 651987-5)
9	233170-2	1	Compression Spring 23	43	265995-6	2	Tapping Screw 4x18 (Old 266121-0)
10	223119-0	1	Cam B	44	687063-9	1	Strain Relief
11	223118-2	1	Cam A	45	682549-8	1	Cord Guard
12	226331-1	1	Spur Gear 28-38	46	664013-1	1	Cord With Plug 2P-18-2.5M
13	961055-9	1	Retaining Ring S-15	48	213373-4	1	O Ring 22
14	267126-3	1	Flat Washer 22	49	152559-4	1	Change Lever Com.
15	211201-7	1	Ball Bearing 6002LLB	50	152521-9	1	Grip 36 Com. (Old 152489-9)
16	267164-5	1	Flat Washer 15	100	654069-2	2	Receptacle
17	233169-7	1	Compression Spring 18	101	534023-1	1	Lead Assy (Orange)
18	322920-1	1	Spindle	102	534024-9	1	Lead Assy (Purple)
19	410102-8	1	Key Holder				
20	251460-1	1	(-) Flat Head Screw M6x22	Accessories			
21	921919-9	1	Hex Bolt M8x110	A01	415486-9	1	Depth Gauge
22	415485-1	1	Grip Base	A02	763440-0	1	Chuck Key S13 (HP2040)
24	416189-8	1	Slider	A03	-----	1	Bit (See Catalogue for Details)
25	210026-6	1	Ball Bearing 696ZZ (Old 210006-2)	A04	765009-6	1	Blow-Out Bulb
26	226130-1	1	Gear Com. 8-18-23				
27	253777-8	1	Flat Washer 8	A05	192552-6	1	1/2" Drill Chuck & Chuck Key Set (HP2040)
28	344419-6	1	Change Plate		192685-7	1	1/2" Keyless Drill Chuck (HP2041)
29	232134-3	1	Leaf Spring	A06	192985-5	1	Side Handle Assy (Includes Items 21, 22 & 50)(Old 152489-0A)
30	415453-4	1	Change Button	A07	824608-4	1	Plastic Carrying Case(Old 824485-4)
31	262541-6	1	Sleeve 8	A08	417496-2	2	Latch (For 824608-4)
32	211033-2	1	Ball Bearing 608LB	A09	417497-0	1	Handle (For 824608-4)
33	241869-5	1	Fan 55				
34	517211-5	1	Armature Assy (Includes Items 32, 33 & 36)				
35	633346-5	1	Field				